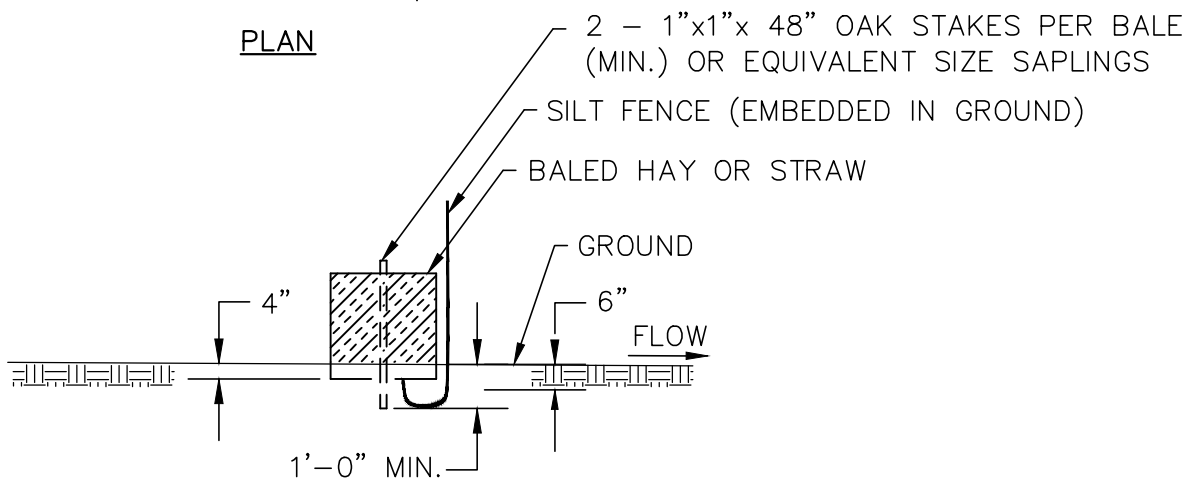


PLAN



SECTION



TOWN OF CONCORD—PUBLIC WORKS DESIGN AND CONSTRUCTION STANDARDS		
HAYBALES AND SILT FENCE		
SCALE: N.T.S.		DATE: 01/08/2015
JOB NO. \FILE NAME:	DESIGNED BY: JCZ	PLAN NO.
FILE.DWG	DRAWN BY: JCZ	EC-4
	CHECKED BY: W.J.R.	