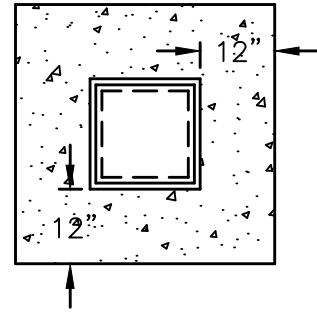
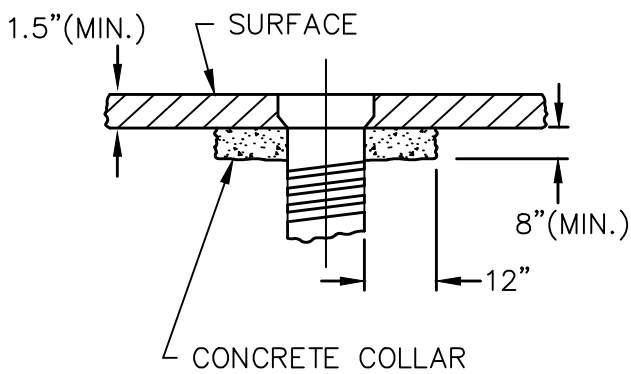


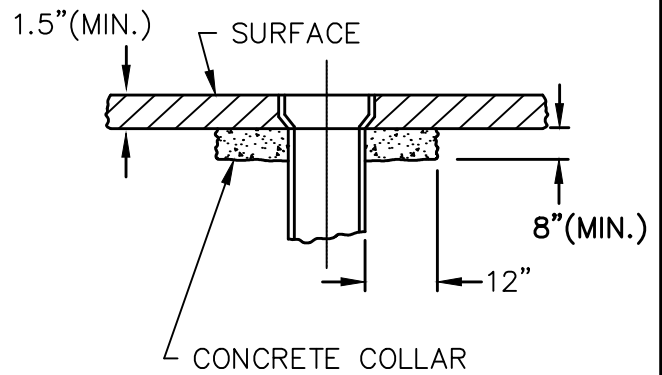
PLAN



PLAN



SECTION



SECTION



TOWN OF CONCORD—PUBLIC WORKS
DESIGN AND CONSTRUCTION
STANDARDS

DETAILS FOR RAISING CASTINGS
WATER SERVICE BOXES

SCALE: N.T.S.

DATE: 03/05/2014

JOB NO. \FILE NAME:
FILE.DWG

DESIGNED BY: JCZ
DRAWN BY: JCZ
CHECKED BY: WJR

PLAN NO.
RS-20