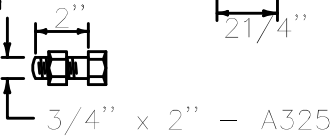
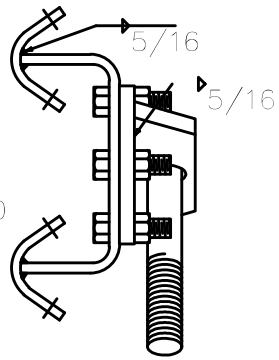
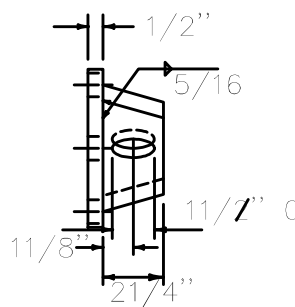
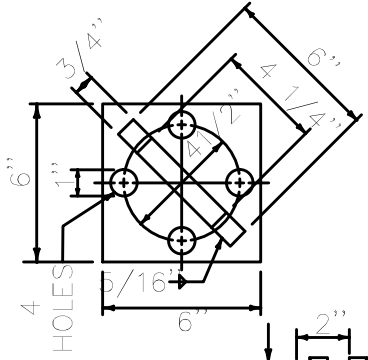
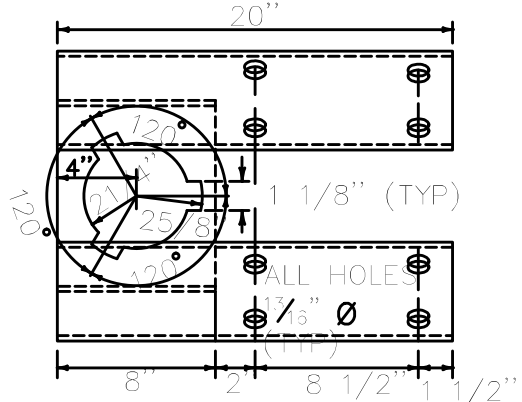
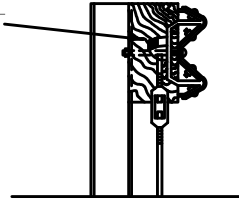
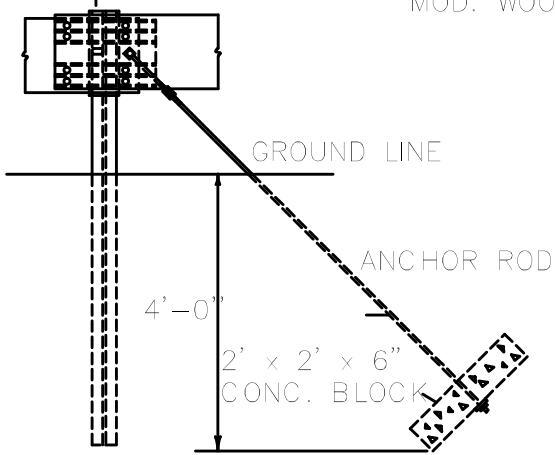


ANCHOR ROD CONNECTOR

MOD. WOOD BLOCKOUT



TOWN OF CONCORD—PUBLIC WORKS
DESIGN AND CONSTRUCTION
STANDARDS

W BEAM COR—TEN VT LOW SPEED
END TREATMENT DETAIL

SCALE: N.T.S.		DATE: 03/05/2014	
JOB NO. \ FILE NAME:	DESIGNED BY: JCZ	PLAN NO.	
FILE.DWG	DRAWN BY: JCZ	RS-22A	
	CHECKED BY: WJR		