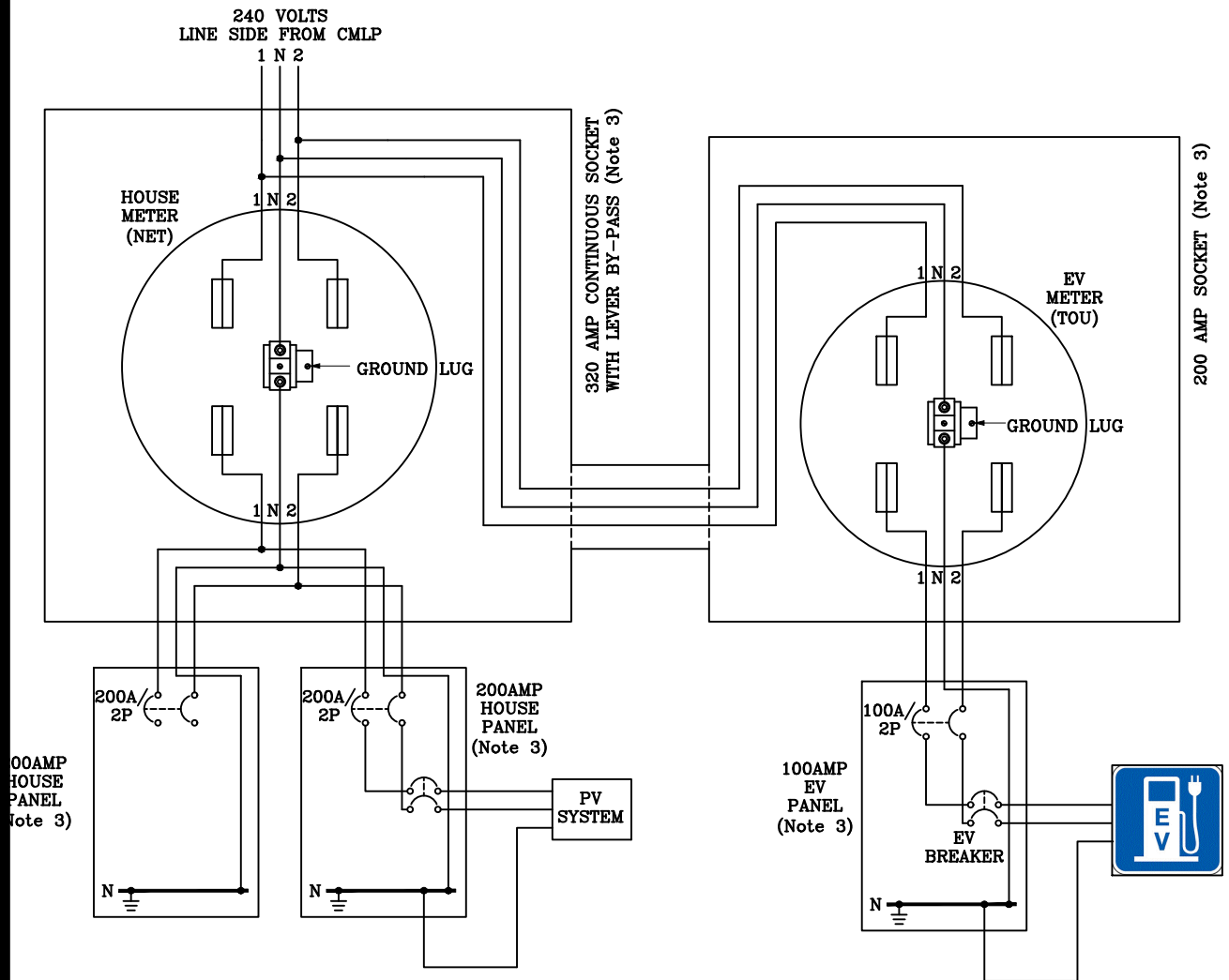


CONCORD MUNICIPAL LIGHT PLANT ELECTRICAL SERVICE STANDARDS

METER SOCKET WIRING DIAGRAM 120/240 VOLT SINGLE-PHASE



NOTES:

1. SERVICE INSTALLATIONS MUST BE INSPECTED AND APPROVED BY THE TOWN OF CONCORD, BUILDING DEPT. ELECTRICAL INSPECTOR PRIOR TO CONNECTION.
2. ALL WIRING AND INSTALLATION TO MEET THE LATEST REVISION OF THE MASSACHUSETTS ELECTRICAL CODE.
3. SIZE OF SERVICE AND EQUIPMENT DEPENDENT ON ELECTRICAL LOADING REQUIREMENTS.



**CONCORD MUNICIPAL
LIGHT PLANT**
ELECTRIC | BROADBAND | ENERGY MANAGEMENT